

ergotron  
*HEALTHCARE*

CONCORDE  
TECHNOLOGY GROUP





***We are devoted to  
helping caregivers thrive.***

For more than 35 years, Ergotron has eliminated constraints in healthcare by offering dynamic, ergonomic solutions that move caregivers. Highly customizable, our designs fit more people, workflows and environments.



Modern designs,  
uninhibited mobility and  
personalized features  
enable caregiver  
well-being, memorable  
patient experiences and  
life-changing care.

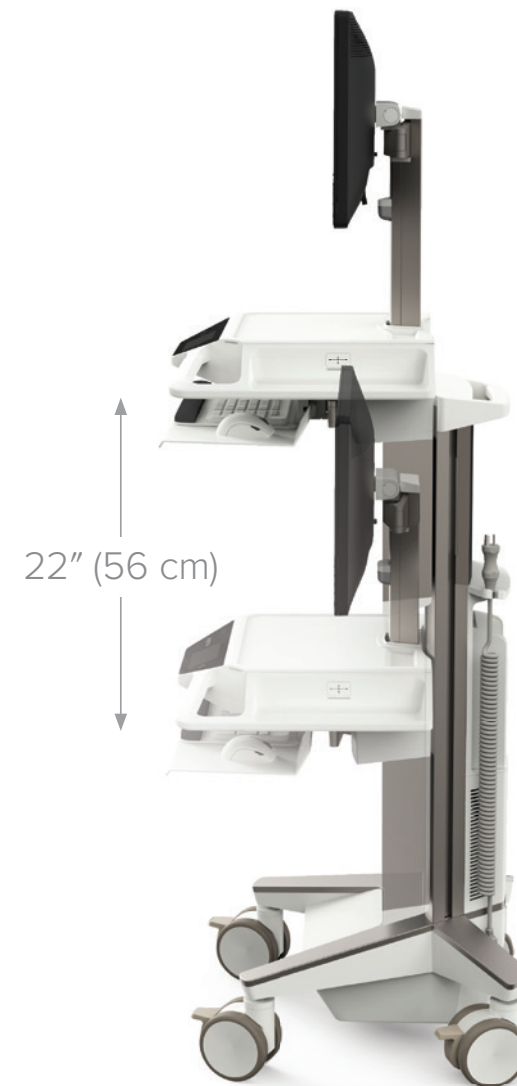


CAREFIT™



CareFit Pro

*Innovative design  
for every shift*



## Full-featured

- Expansive height-adjustment range
- Fully-enclosed technology and cabling
- Built-in hot swap battery capability
- Multiple accessories fit your workflows



otron

10:23 PM

8hr 2min  
100% 6:26AM

Lights

Drawers

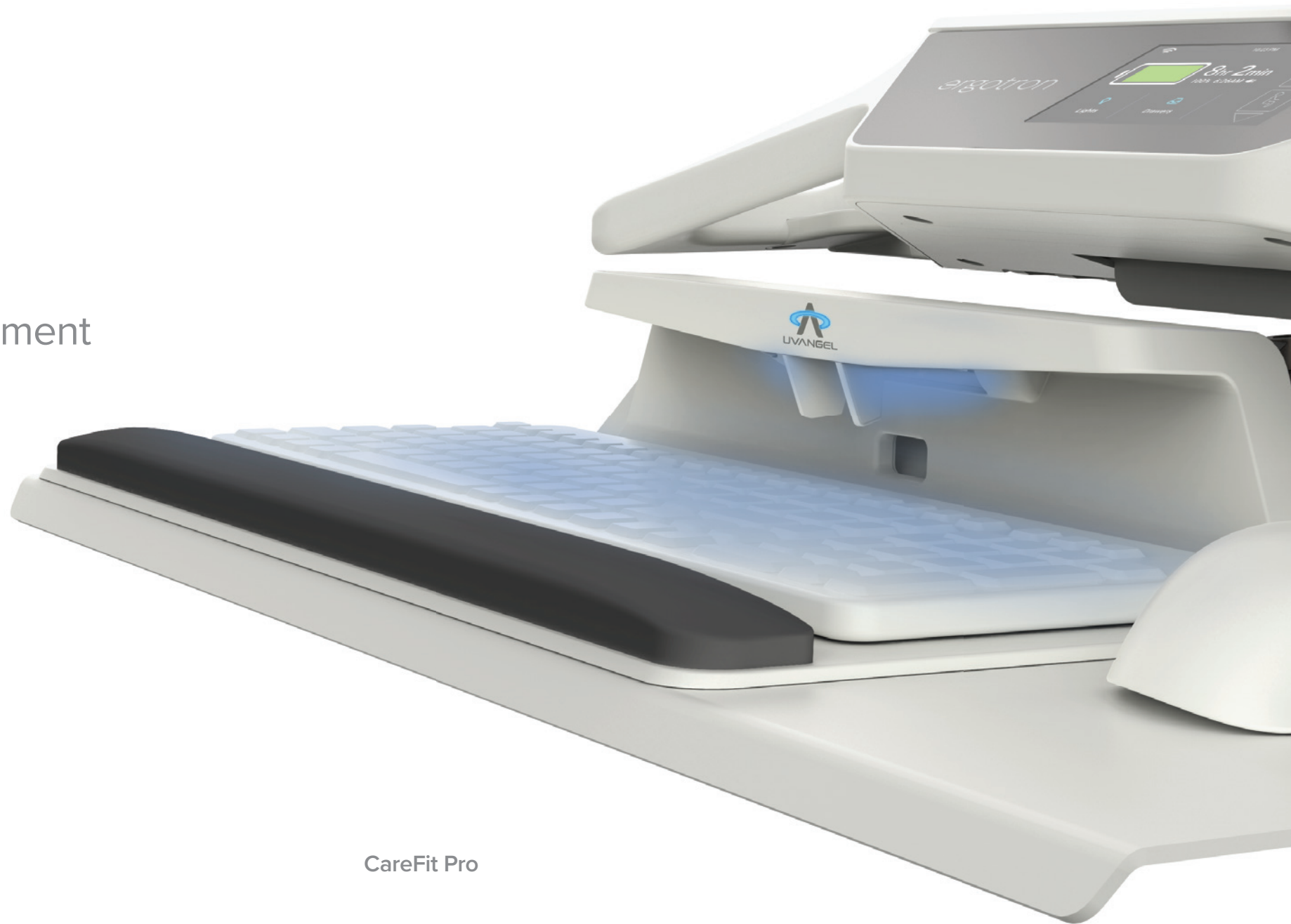
Settings

Power

Intuitive dashboard  
fits your workflow

CareFit Pro

Automated pathogen reduction for  
high touch surfaces fits your environment



Optional accessory coming soon:



UVANGEL

CareFit Pro

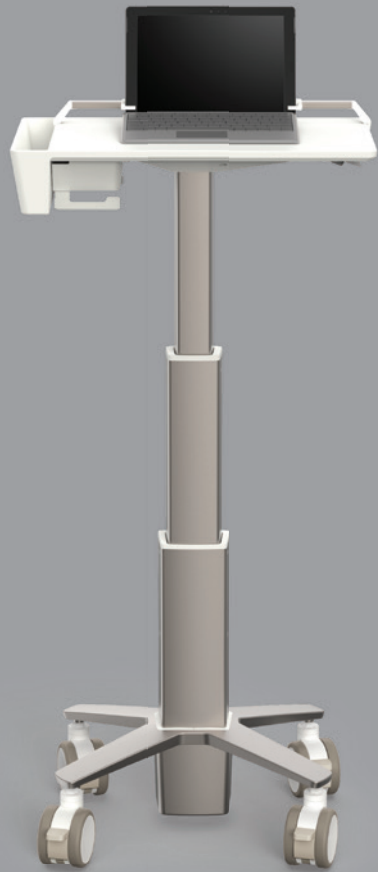


Versatile access  
and storage

Customizable drawer  
configurations  
for seamless care

CareFit Pro

CAREFIT™

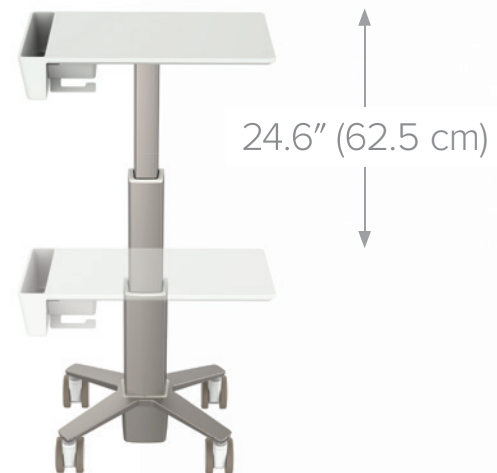


CareFit Slim Laptop



CareFit Slim LCD

*Your documentation  
companion*

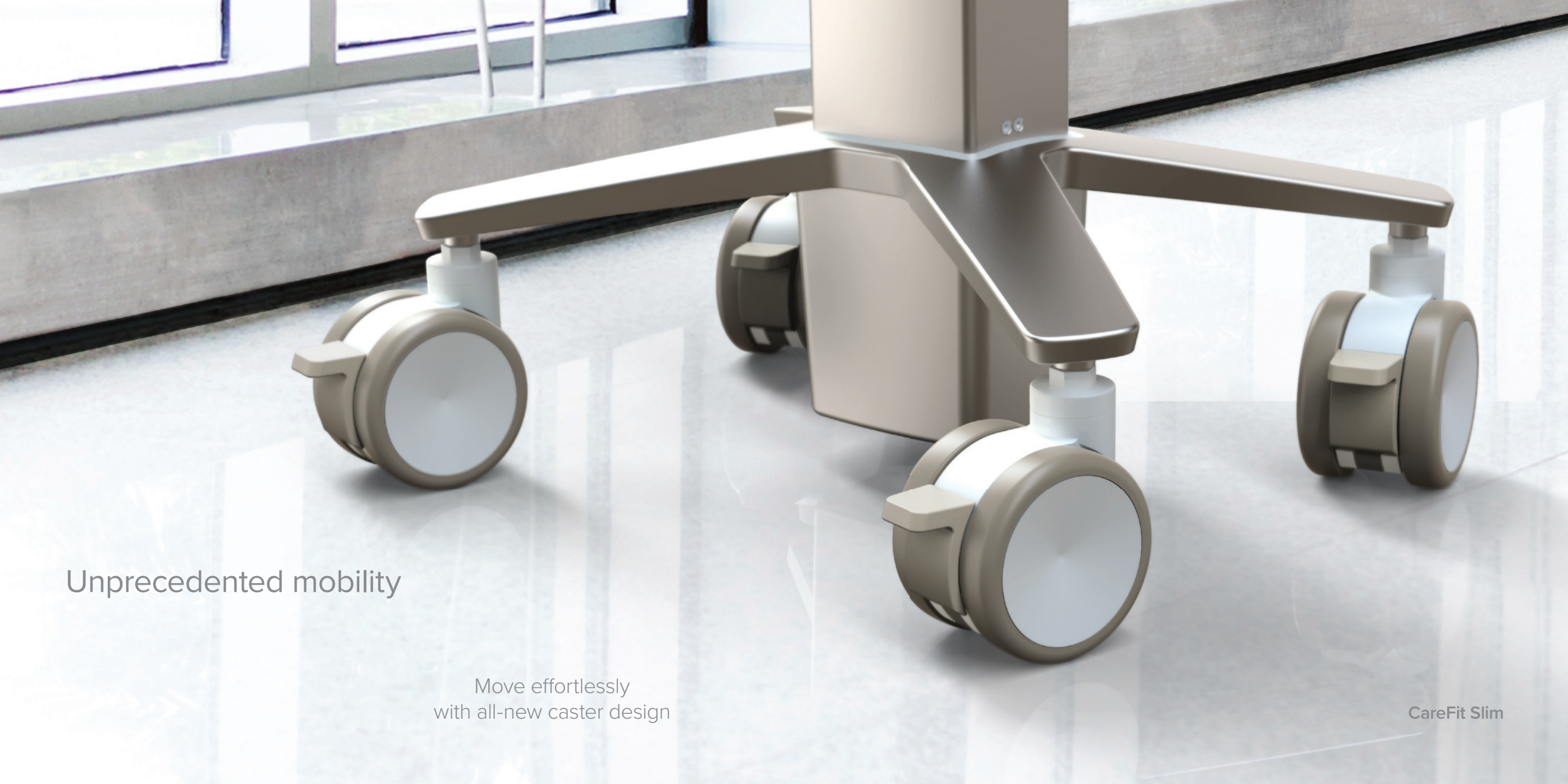


## Ultra-lean

Small footprint  
Lightweight  
Expansive height-adjustment range  
Customizable options for power, scanner,  
printer, wipes and more







Unprecedented mobility

Move effortlessly  
with all-new caster design

CareFit Slim

LiFeKinnex™



LiFeKinnex Power System



LiFeKinnex  
245Wh battery

*Say goodbye  
to power anxiety*



A charging workflow  
you can count on



LiFeKinnex 4-Bay Charger  
(Desktop)

Keep tabs on battery life  
with the light bar indicator



LiFeKinnex 4-Bay Charger  
(Wall-mounted)



Secure, web-based software

Seamless management

Helps increase cart uptime

Real-time insight into usage patterns, drawer access, battery charge/life and more

Software operates separately from patient records

Fast implementation

eKinnex Cloud-Based Software

## *Cloud-based fleet management*



CAREFIT™



CareFit Low Profile Wall Enclosure



*Low-profile design  
enhances healing spaces*

**STYLEVIEW™**



SV Combo Arm with Worksurface & Pan

*Support  
meaningful  
patient  
interactions*

Monitor moves up to 180°  
to easily share information with patients  
or colleagues



Work sitting or standing with everything  
caregivers need at their fingertips

# Certified Service

We don't just stand behind our products—  
we stand behind you

Available services:

Installation and integration

Next business day on-site service

Preventive maintenance

Extended warranties

In-warranty and post-warranty repairs

In-depth on-site product training

Equipment audit and health check





*moving you forward*

Using human-centered design principles and the technology of movement, we build environments that help people thrive.

[ergotron.com/carefit](https://ergotron.com/carefit)



# ergotron®

CONCORDE  
TECHNOLOGY GROUP



Follow us on:

[facebook.com/ergotroninc](https://facebook.com/ergotroninc)

[instagram.com/ergotron](https://instagram.com/ergotron)

[linkedin.com/company/ergotron](https://linkedin.com/company/ergotron)

Download additional resources at [ergotron.com](https://ergotron.com).

For more information:

EMEA: +31.33.45.45.600 / [info.eu@ergotron.com](mailto:info.eu@ergotron.com)

Custom: [custom@ergotron.com](mailto:custom@ergotron.com)

© Ergotron, Inc. 03.08.2020

Literature made in the U.S.A.

Content subject to change.

Ergotron devices are not intended to cure, treat, mitigate or prevent any disease.

Patent information available at [www.ergotron.com/patents](https://www.ergotron.com/patents).

WorkFit, StyleView, LearnFit, Neo-Flex, PowerShuttle, LiFeKinex, CareFit and eKinex are trademarks of Ergotron.